

CONTENDER

STEP UP TO THE PLATE



CONTENDER DMB DISHWASHER

DMB003 | DMB004

CONTENTS

A. GENERAL INFORMATION	2
A1. TECHNICAL INFORMATION	3
A2. TRANSPORTATION	3
A3. UNPACKING	4
B. INSTALLATION	4
C. SAFETY INSTRUCTIONS	4
D. OPERATION	5
E. CLEANING & MAINTENANCE	6
F. TROUBLESHOOTING	7
G. FREQUENTLY ASKED QUESTIONS	7
H. SPARE PART LIST- EXPLODING DRAWING	8
I. ELECTRIC CIRCUIT SCHEMA	14

A. GENERAL INFORMATION

BEFORE INSTALLING THE APPLIANCE, PLEASE READ THE MANUAL ESPECIALLY THE INSTALLATION, OPERATION AND MAINTENANCE INSTRUCTIONS CAREFULLY. WRONG INSTALLATION, PART CHANGING MAY DAMAGE THE PRODUCT, MAY CAUSE INJURY ON PEOPLE AND MAY INVALIDATE THE WARRANTY.

THIS ITEM IS HEAVY AND MUST ONLY BE MOVED WITH MECHANICAL AIDS.

BEFORE INSTALLING THE PRODUCT INSPECT THE DISHWASHER FOR ANY DAMAGE AND REPORT IMMEDIATELY TO THE SUPPLIER.

ECATERING WILL NOT BE HELD RESPONSIBLE FOR INTENTIONAL DAMAGE TO THE APPLIANCE, NEGLIGENCE, NOT FOLLOWING INSTRUCTIONS (MISUSE) AND REGULATIONS, INCORRECT INSTALLATION. INCORRECT INSTALLATION AND OPERATION OF THE APPLIANCE MAY INVALIDATE THE WARRANTY.

1. THIS INSTRUCTION MANUAL SHOULD BE KEPT IN A SAFE PLACE FOR FUTURE REFERENCE.
2. INSTALLATION SHOULD BE MADE BY A QUALIFIED ENGINEER WHO IS A CERTIFIED ELECTRICIAN. ECATERING STRONGLY RECOMMENDS CORRECT INSTALLATION BY A QUALIFIED ENGINEER TO BE SURE TO PROTECT THE WARRANTY.
3. THIS APPLIANCE HAS TO BE USED BY A COMPETENT PERSON.
4. PLEASE TURN OFF THE APPLIANCE IMMEDIATELY IN THE EVENT OF MALFUNCTION OR FAILURE. THE APPLIANCE SHOULD BE REPAIRED ONLY BY AUTHORISED SERVICE PERSONNEL. PLEASE USE ONLY ORIGINAL SPARE PARTS TO ENSURE THE MAXIMUM EFFECTIVENESS OF THE WASHER.

AI. TECHNICAL INFORMATION

THE PROFESSIONAL UNDERCOUNTER TYPE DISHWASHER PROVIDES HIGH EFFICIENCY HAS BEEN DESIGNED TO BE USED IN INDUSTRIAL KITCHENS.

PRODUCT CODE	DMB003	DMB004
BASKET SIZE	500 X 500	500 X 500
WATER CONSUMPTION (LT/PIECE.)	2,5	2,5
TOTAL POWER (KW)	6	8
MOTOR POWER (KW)	0,55	0,55
OPERATING VOLTAGE (V)	220-230	380-400
WATER PRESSURE (BAR)	2-4	2-4
WASHING TANK POWER (KW)	2.5	2.5
RINSING TANK POWER (KW)	2.5	5
CABLE (MM ²)	3 X 2.5	5 X 4
FUSE (A)	25	25
MAX.PLATE DIAMETER (Ø MM)	320	320
PROGRAM NUMBER (TIME)	3 PROGRAMS 90/120/180 SECONDS	3 PROGRAMS 90/120/180 SECONDS
DETERGENT PUMP	✓	✓
RINSE PUMP	✓	✓
DRAINAGE PUMP	✓	✓
DIMENSIONS (MM)	590 X 700 X 820	590 X 700 X 820
WEIGHT (KG)	67	67
PACKAGING DIMENSIONS (MM)	725 X 650 X 970	725 X 650 X 970





A2. TRANSPORTATION

THIS APPLIANCE CAN NOT BE MOVED BY HAND FROM AREA TO AREA. IT MUST BE MOVED USING THE APPROPRIATE MECHANICAL EQUIPMENT.

A3. UNPACKING

PLEASE UNPACK THE APPLIANCE USING CORRECT PROTECTED BLADE PRODUCTS, BE SURE YOU HAVE BEEN SHOWN HOW TO USE BLADED PRODUCTS SAFELY. DISPOSE OF PACKAGING APPROPRIATELY USING THE LOCAL RECYCLING FACILITIES AVAILABLE TO YOU. PARTS WHICH COME IN CONTACT WITH FOOD ARE PRODUCED IN STAINLESS STEEL. ALL PLASTIC PARTS ARE MARKED BY MATERIAL'S SYMBOL. PLEASE CHECK THAT ALL THE PARTS OF APPLIANCE ARE INCLUDED AND THE PRODUCT IS HAS NOT BEEN DAMAGED DURING THE SHIPPING.









B. INSTALLATION

-  PLEASE PLACE THE PRODUCT ON LEVEL AND STURDY GROUND, PLEASE TAKE NECESSARY STEPS TO ENSURE THE APPLIANCE IS LEVEL AND THERE IS NO POSSIBILITY OF OVERTURNING.
-  THE TECHNICIAN WHO IS TO INSTALL AND SERVICE THE APPLIANCE MUST BE A QUALIFIED ELECTRICIAN AND BE ABLE TO SUPPLY A CERTIFIED CERTIFICATE OF INSTALLATION.
-  CONNECTION TO ELECTRIC POWER SUPPLY MUST BE COMPLETED BY AN AUTHORIZED PERSON.
-  PLEASE BE SURE THAT THE VOLTAGE CONNECTED TO APPLIANCE MUST BE EQUAL WITH THE VOLTAGE WHICH IS ON THE APPLIANCE'S LABEL.



THIS APPLIANCE MUST BE CONNECTED TO AN EARTHED ELECTRICAL SUPPLY. THE MAIN FUSE CONNECTION MUST BE TESTED TO ENSURE SUITABLE ELECTRICAL SUPPLY IS AVAILABLE IN THE BUILDING AND THAT CAPACITY FOR THE WASHER IS AVAILABLE.

C. SAFETY INSTRUCTIONS

-  DO NOT USE THE APPLIANCE IN INSUFFICIENT LIGHTED PLACE.
-  DO NOT TOUCH THE MOVING ATTACHMENTS WHILE THE APPLIANCE OPERATES.
-  DO NOT INSTALL THE APPLIANCE IN THE PRESENCE OF FLAMMABLE OR EXPLOSIVE MATERIALS.
-  DO NOT USE WITH THE LOADING DOOR OPEN.
-  DO NOT LOAD MORE THAN APPLIANCE'S CAPACITY.
-  DO NOT ATTEMPT TO USE THE APPLIANCE OR LOAD THE DETERGENT AND RINSE LIQUIDS WITHOUT SUITABLE PROTECTIVE WEAR, (I.E. GLOVES, SAFETY GLASSES)
-  BECAUSE OF ANY REASON IF THERE IS A FIRE OR FLAME FLARE WHERE THE APPLIANCE IS USED, TURN OFF ALL GAS VALVES AND ELECTRIC CONTACTOR SWITCH QUICKLY AND USE FIRE EXTINGUISHER. NEVER USE WATER TO EXTINGUISH THE FIRE.
-  NEVER OVERRIDE SAFETY SWITCHES



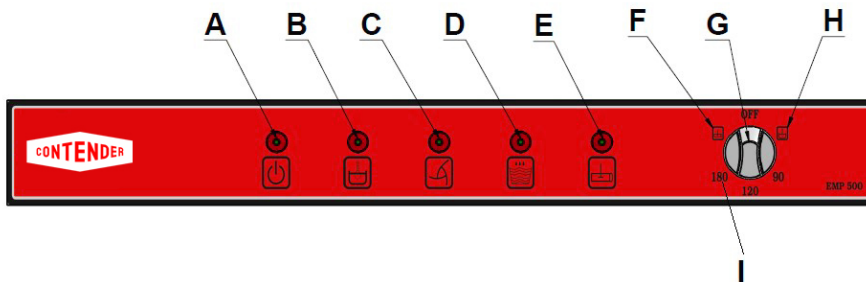
ALL THE DAMAGES BECAUSE OF NOT HAVING EARTHING CONNECTION WILL NOT BE ON WARRANTY.



DO NOT WASH THE DECORATED DISHES. PREVENT SILVER WARE TO COME INTO CONTACT WITH THE OTHER METALS.

D. OPERATION

*CONTROL PANEL;



- A : APPLIANCE ON LAMP
- B : WATER HEATED LAMP
- C : WASHING CYCLE LAMP
- D : WATER FILLING/RINSING
- E : DRAINAGE LAMP
- F : DRAINAGE POSITION
- G : APPLIANCE OFF POSITION
- H : WATER INLET
- I : WASHING PROGRAM

OPERATING;

- CHANGE THE WATER THAT IS IN WATER TANK 3 TIMES IN A DAY.
- BEFORE PUTTING THE DISHES IN TO THE APPLIANCE, FOR BEST RESULTS, PREWASH WITH COLD OR WARM WATER WITHOUT USING ANY DETERGENT.
- TURN ON THE WATER SOURCE VALVE AND PLUG IN THE APPLIANCE.
- IN ORDER TO TAKE OFF ANY RESIDUE THAT REMAIN IN STORAGE OR PIPES, OPERATE THE APPLIANCE WHEN IT IS EMPTY.
- TURN THE DISHWASHER ON AS SOON AS THE OPERATOR STARTS IN THE MORNING ENSURING THAT THERE IS ENOUGH TIME FOR THE WATER TO HEAT, DEPENDING ON THE MODEL THE WATER TANK COULD TAKE UPTO 45-50 MINUTES TO HEAT COMPLETELY.
- WHEN THE APPLIANCE IS AT OFF POSITION, TURN THE SWITCH TO RIGHT TO POSITION H. WHEN THE "WATER HEATED LAMP" IS ON, IT INDICATES THAT THE WATER IS HEATED AND THE DISHWASHER IS READY TO START.
- OPEN THE FRONT LOADING DOOR AND PUT ENOUGH DETERGENT INTO THE WATER TANK, OR IF THE DETERGENT PUMP IS FITTED ENSURE THAT THE DETERGENT PUMP IS CONNECTED TO THE DETERGENT RESERVOIR.
- PLACE THE PRE WASHED DIRTY DISHES ON BASKETS. THE BASKETS CAN NOT BE DOUBLE STACKED.
- CLOSE THE FRONT DOOR AND CHOOSE THE SUITABLE WASHING PROGRAM.(THERE ARE 3 PROGRAMED CYCLES). THE WASHING STARTS AND TEH OPERATION LAMP B,C, D OR E WILL INDICATE THE CYCLE.
- WASHING PROCESS; FOR HOT WATER AND WASHING WITH DETERGENT (MINIMUM 55°C) ,FOR RINSING WITH HOT WATER AND POLISHER (MINIMUM 75°C).
- AFTER WASHING PROCESS,THE APPLIANCE WILL START THE AUTOMATIC RINSING PROGRAM.
- AT THE END OF PROGRAM,OPEN THE LOADING DOOR AND TAKE OUT THE WASHED BASKET. PLACE ANOTHER BASKET TO BE WASHED. WAIT FOR THE "WATER HEATED LAMP TO COME ON" SELLECT THE CHOSEN WASH CYCLE THE MACHINE WILL NOW GO THROUGH THE WASHING AND RINSING PROCESS FOR THE CHOSEN PROGRAM.
- IN ORDER TO STOP THE WASHING CYCLE,OPEN THE DOOR WHEN THE SWITCH IS AT 'WASHING' POSITION.
- IN ORDER TO GO ON WASHING, CLOSE THE DOOR WHEN THE SWITCH IS AT 'WASHING' POSITION.
- THE APPLIANCE'S INDICATOR LAMP SIGNALS TO COMPLETE WASHING PROCESS.OPEN THE LID AND TAKE OFF THE BASKET THAT INCLUDES WASHED DISHES

E. CLEANING & MAINTENANCE

CLEANING AND MAINTENANCE AFTER EVERY USE

- ECATERING RECOMMEND THAT THE WASHER IS CLEANED DAILY
- DRAIN THE WATER BY REMOVING THE TRAY AND LOCATE THE ROUND PLUG JUST SHOWING OUT OF THH WATER. PHYSICALLY LIFT AND REMOVE IT. ONCE REMOVED DRAIN THE WATER BY TURNING THE SWITCH TO THE 'F' POSITION.
- ALWAYS ISOLATE THE ELCTRICAL SUPPLY TO THE APPLIANCE AND DISCONNECT FROM THE POWER SUPPLY BEFORE CLEANING.
- NOW TEH TANK IS EMPTY, REMOVE ANY RETAINED DEBRIS AND CLEAN THE TANK WITH CLEAN SOAPY WATER.
- CLEAN ALL SURFACES OF THE APPLIANCE WITH HOT SOAPY WATER.RINSE AND DRY WITH A DAMP CLOTH.
- CLEAN THE CONTROL PANEL WITH SOFT DAMP CLOTH, IF NECESSARY USE A LIGHT DETERENT.
- DO NOT USE ABRASIVE CLEANING CHEMICALS AS THESE CAN LEAVE HARMFUL RESIDUES.
- DO NOT CLEAN THE APPLIANCE BY SPRAYING WATER DIRECTLY,OTHERWISE ELECTRIC MOTOR MAY GET DAMAGED.

PERIODIC CLEANING AND MAINTENANCE

- MAINTENANCE SHOULD BE DONE BY QUALIFIED PERSON.
- CLEAN ANY LIME RESIDUE FROM THE BURNER, INNER SURFACE OF THE WASHING TANK AND WATER PIPES ONCE OR TWICE IN A YEAR.
- **IF LIME IS FOUND REGULARY THEN YOU SHOULD BE USING A WATER SOFTENER. PERSISTENT LIME WILL DAMAGE THE WASHER. CLEAN THE LIME WITH USING RINSING AND WASHING NOZZLES ONCE IN A MONTH BY USING VINEGAR OR LIME REMOVER. BE SURE TO WEAR APPROPRIATE PPE (GLOVES AND PRTECTIVE GLASSES)**
- CLEAN THE FILTERS IN THE APPLIANCE ONCE IN A WEEK. AFTER CLEANING BE SURE THAT THE FILTERS ARE SECURED BACK IN POSITION.
- CLEAN THE APPLIANCE'S FOUNTAINS ONCE IN 15 DAYS BY DETACHING IT.
- CLEAN THE APPLIANCE'S DRAINAGE PLUG AND DRAINAGE HOSES ONCE IN 15 DAYS.

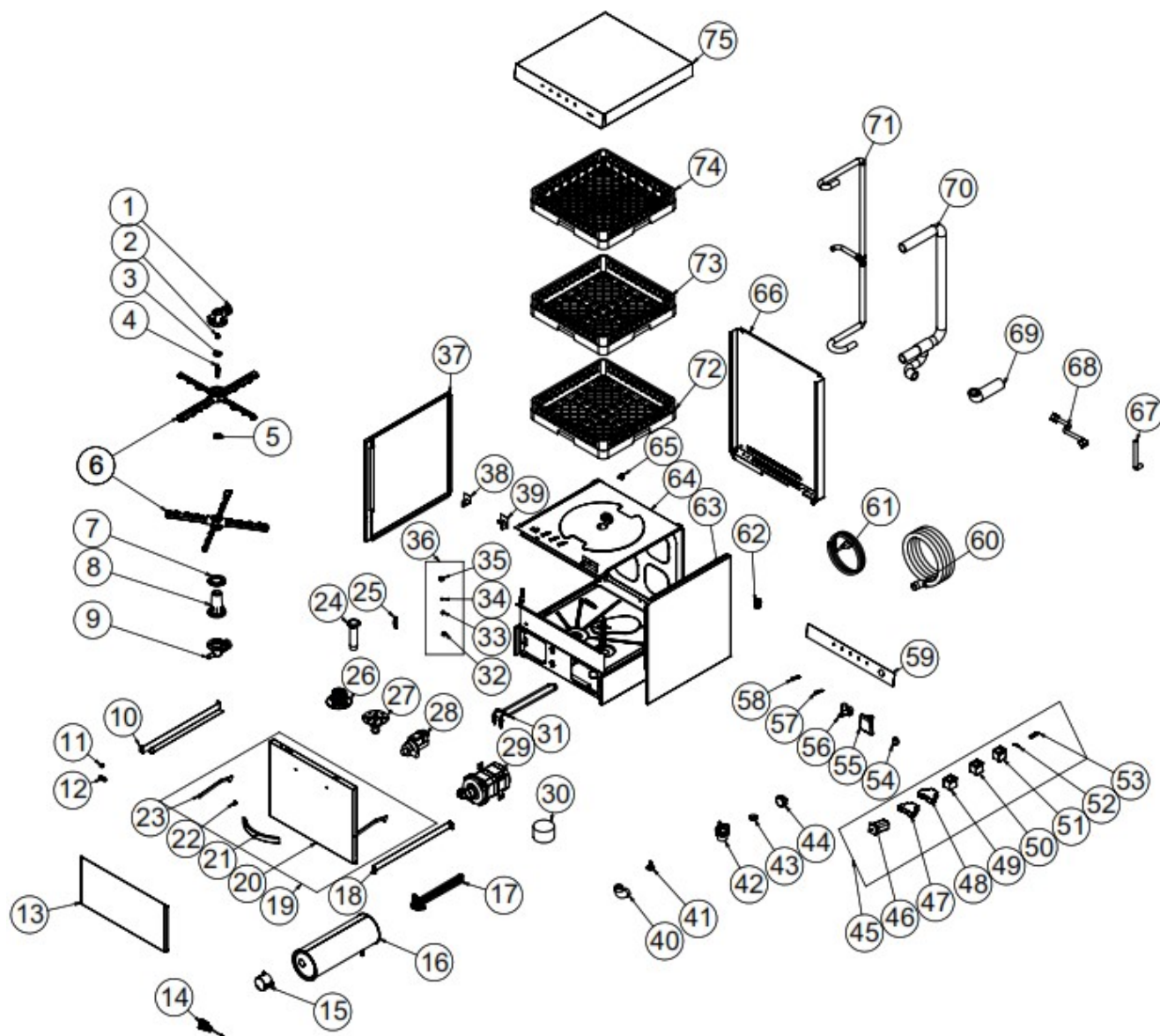
F. TROUBLESHOOTING

THE APPLIANCE DOESN'T WASH WELL	<ol style="list-style-type: none"> 1. CLEAN THE ABSORBING FILTER IF IT IS DIRTY. 2. CHECK THE WASHING NOZZLES IF THEY ARE ACCUMULATED WITH RESIDUES OR NOT. 3. CHECK THE AMOUNT OF DETERGENT. 4. IF CHOSEN WASHING PROGRAM IS TOO LESS, REPEAT THE PROGRAM. 5. CHECK IF THE PLATES ARE PLACED TO THE BASKETS CORRECTLY.
CUPS AND PLATES ARE NOT DRIED WELL	<ol style="list-style-type: none"> 1. IF THERE IS POLISHER OR NOT, IF NOT ADD SOME. 2. CHECK THE AMOUNT OF POLISHER
MIST OVER ON CUPS	AFTER WASHING PROCESS, TAKE OFF THE CUPS FROM BASKETS.
CORROSION ON CUPS	ONLY USE PRODUCTS THAT ARE NOT FOAMING FOR THE PROFESSIONAL DISHWASHERS.
TOO MUCH FOAM AT STORAGE	<ol style="list-style-type: none"> 1. CHECK THE AMOUNT OF DETERGENT . 2. IF FOAMING DETERGENT IS USED, POUR IT AND RINSE THE STORAGE TILL THE FOAMS ARE LOST. 3. DO NOT WASH WITH COLD WATER, WAIT FOR THE WARMED LAMP
WASHING OR RINSING HANDLES ARE TURNING SLOWLY	<ol style="list-style-type: none"> 1. TAKE OFF WASHING HANDLES AND CLEAN THEM. 2. CLEAN THE WASHING PUMP ABSORBING FILTER. 3. CHECK THE RINSE WATER PRESSURE
VISCIDITY AND SPOTS ON CUPS	REDUCE THE AMOUNT OF POLISHER.
DISHWASHING IS NOT DONE AT SUITABLE QUALITY	DO NOT USE THE APPLIANCE.
ANY FUNCTION OF SECURITY DOESN'T WORK	DO NOT USE THE APPLIANCE.

G. FREQUENTLY ASKED QUESTIONS

HOW OFTEN DO I CHANGE THE WATER?	THERE IS NO EXACT ANSWER, IT DEPENDS ON HOW BUSY YOU ARE. YOU MAY NEED TO DO ONCE OR TWICE IN A SHIFT OR EVEN ZERO, JUST LOOK OUT FOR POTS/GLASSES COMING OUT THAT ARE NOT BEING WASHED AS WELL AS THEY WERE. YOU DO NOT NEED TO CHANGE THE WATER AFTER EVERY WASH.
WHY IS THERE SO MUCH FOAM?	IF YOU RUN THE DISHWASHER WHEN B IS NOT ILLUMINATED THE CHEMICALS WILL NOT WORK AS INTENDED AND CAUSE THE UNIT TO FOAM. YOU WILL NEED TO DRAIN THE UNIT AND GIVE IT A RINSE OUT AND REFILL IF THAT HAPPENS.
DO I NEED TO ADD SALT?	THIS UNIT DOES NOT INCLUDE A WATER SOFTENER BUILT IN. IF YOU ARE IN A HARD WATER AREA IT IS ESSENTIAL YOU GET AN EXTERNAL WATER SOFTNER.
DOES IT ALWAYS TAKE SO LONG TO HEAT UP?	THE AVERAGE TIMES GIVEN ARE BASED ON THE UNIT HAVING A COLD WATER FEED AND RUNNING ON A I3A PLUG. YOU CAN USE A WARM WATER FEED TO REDUCE TIMES BUT YOU WILL NEED A WATER SOFTENER REGARDLESS IF YOUR AREA IS A HARD WATER AREA OR NOT.

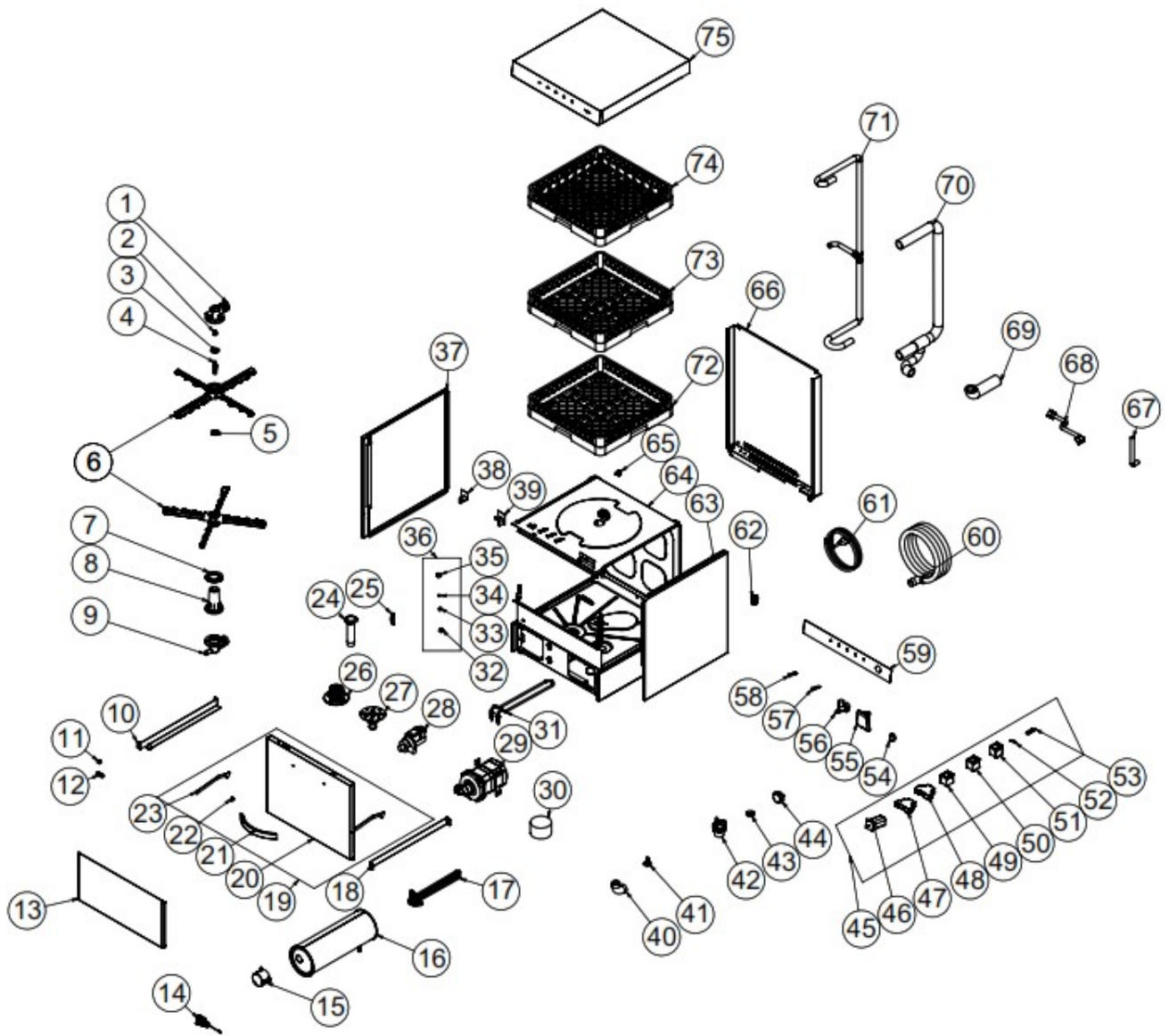
H. SPARE PART LIST-EXPLODING DRAWING



DMB003

PRODUCT CODE : DMB003		
NO	PRODUCT NAME	P. CODE
1	HOSE UPPER ELBOW	M.ENJ-ERS-PLS-BYM-097
2	CENTER BUSH	YTL-ERS.BYM-KS-0014
3	PRESSURE PLASTIC	M.ENJ-ERS-PLS-BYM-059
4	SPINNING SPINDLE	YTL-ERS.BYM-KS-0001
5	SPRAY SCREW	M.ENJ-ERS-PLS-BYM-070
6	FOUNTAIN	M.ENJ-ERS-PLS-BYM-053
7	SPRAY GASKET	M.ENJ-ERS-LST-019
8	LOWER FOUNTAIN CENTER	M.ENJ-ERS-PLS-BYM-020
9	HOSE LOWER ELBOW	M.ENJ-ERS-PLS-BYM-096
10	RIGHT SLIDE SHEET	YSC-ERS.BYM-LZ-0005
11	MAGNET	M.MIK-ERS-001
12	MAGNET LOCATION	M.ENJ-ERS-PLS-BYM-001
13	BOTTOM COVER SHEET	YSC-ERS.BYM-LZ-0452
14	THERMOSTAT 0-90°C	M.ELK-MEK-TRM1-008
15	RESISTANCE COVER	M.ENJ-ERS-PLS-BYM-025
16	BOILER TANK	M.MEK-TES-BYM-BYL-001
17	BOILER RESISTANCE 220V-5000W	M.ELK-RZS-BRU-BYM-030
18	LEFT SLIDE SHEET	YSC-ERS.BYM-LZ-0004
19	COVER	ARA-ERS.BYM-0012
20	COVER OUTER SHEET	YSC-ERS.BYM-PN-0344
21	COVER HANDLE	ERS.M.AKS-KLP-INX-003
22	SLEEVE PART	YTL-ERS.BYM-KS-0119
23	TOP COVER HANDLE	YSC-ERS.BYM-LZ-0455
24	DRAIN WEDGE	M.ENJ-ERS-PLS-BYM-016
25	WEDGE PLASTIC	M.ENJ-ERS-PLS-BYM-017
26	FILTER COVER	M.ENJ-ERS-PLS-BYM-086
27	DISCHARGE WEDGE LOCATION	M.ENJ-ERS-PLS-BYM-112
28	DRAIN PUMP	M.ELK-MTR-PMP-002
29	WASHING MOTOR	M.ELK-MTR-PMP-001
30	FILTER	M.ENJ-ERS-PLS-BYM-041
31	TANK RESISTANCE 230V-2500W	M.ELK-RZS-BRU-BYM-028
32	LOCK KIT SPRING PLACE	YTL-ERS.BYM-KS-0073
33	COVER LOCK SPRING	M.YAY-ERS-035
34	BALL	M.MUH-021
35	LOCK BODY	YTL-ERS.BYM-KS-0072
36	COVER LOCK	ARA-ERS.BYM-0013

37	RIGHT SIDE SHEET	YSC-ERS.BYM-PN-0347
38	CORNER PLASTIC RIGHT	M.ENJ-ERS-PLS-BYM-061
39	CORNER PLASTIC LEFT	M.ENJ-ERS-PLS-BYM-062
40	WASHING PUMP HOSE	ERS.M.MEK-TES-HRT-014
41	FOOT	M.AKS-AYK-INX-004
42	FILTER LOCATION	M.ENJ-ERS-PLS-BYM-018
43	FILTER NUT	M.ENJ-ERS-PLS-BYM-113
44	PROCESTAT FLOAT	M.ELK-MUH-001
45	ELECTRICAL PANEL GROUP	M.ELK-PNO-BYM-001
46	SWITCH	M.ELK-SLT-PKO-011
47	evacuation time relay	M.ELK-KNT-ROL-026
48	WASH TIME RELAY	M.ELK-KNT-ROL-020
49	LC1K0901M7 CONTACTOR	ERS.M.ELK-KNT-KNT-020
50	CONTACTOR LC1K0910M	ERS.M.ELK-KNT-KNT-021
51	LC1K1210M7 CONTACTOR	ERS.M.ELK-KNT-KNT-022
52	GLASS FUSE 5A	M.ELK-SGR-011
53	HORIZONTAL SENSOR	M.ELK-SWC-KTG-005
54	SWITCH BUTTON	ERS.M.AKS-DGM-MUH-001
55	AIR TRAP	M.ENJ-ERS-PLS-BYM-019
56	VALVE (14 LT)	M.ELK-SLN-PLS-001
57	GREEN WARNING LAMP	ERS.M.ELK-LMB-SNY-001
58	YELLOW WARNING LAMP	ERS.M.ELK-LMB-SNY-003
59	PANEL LABEL	M.AKS-ETK-LKS-ERS-BYM-014
60	WASTE WATER HOSE	M.MEK-TES-HRT-033
61	3*2.5 MM CABLE	HEL-KB-TT-3*2,5-SYH
62	PG-16 CABLE FITTING	M.ELK-RKR-PLS-004
63	LEFT SIDE SHEET	YSC-ERS.BYM-PN-0346
64	CHASSIS	-
65	DETERGENT ENTRY PLASTIC	M.PLS-ERS-036
66	BACK COVER SHEET	YSC-ERS.BYM-PN-0010
67	VALVE HOSE	ERS.M.MEK-TES-HRT-006
68	HOSE 150CM	ERS.M.MEK-TES-HRT-011
69	PUMP HOSE	ERS.M.MEK-TES-HRT-002
70	WATER INLET HOSE	M.MEK-TES-HRT-001
71	SPRAY DISTRIBUTION HOSE	M.MEK-TES-HRT-003
72	PLATE BASKET	EMP.TB.01
73	SPOON FORK BASKET	EMP.KC.01
74	GLASS BASKET	EMP.BB.01
75	TOP COVER SHEET	YSC-ERS.BYM-LZ-0448

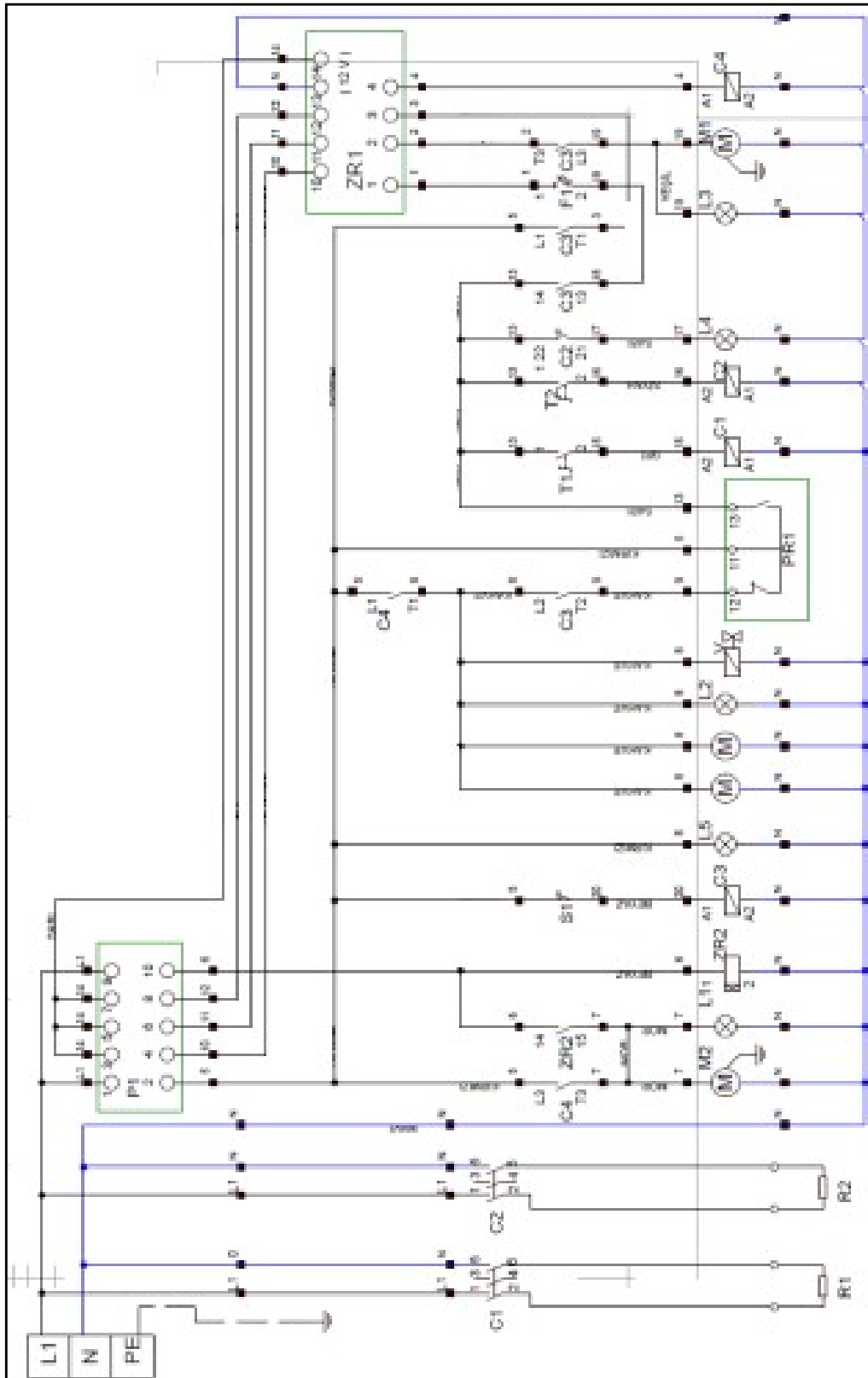


DMB004

PRODUCT CODE : DMB004		
NO	PRODUCT NAME	P. CODE
1	HOSE UPPER ELBOW	M.ENJ-ERS-PLS-BYM-097
2	CENTER BUSH	YTL-ERS.BYM-KS-0014
3	PRESSURE PLASTIC	M.ENJ-ERS-PLS-BYM-059
4	SPINNING SPINDLE	YTL-ERS.BYM-KS-0001
5	SPRAY SCREW	M.ENJ-ERS-PLS-BYM-070
6	FOUNTAIN	M.ENJ-ERS-PLS-BYM-053
7	SPRAY GASKET	M.ENJ-ERS-LST-019
8	LOWER FOUNTAIN CENTER	M.ENJ-ERS-PLS-BYM-020
9	HOSE LOWER ELBOW	M.ENJ-ERS-PLS-BYM-096
10	RIGHT SLIDE SHEET	YSC-ERS.BYM-LZ-0005
11	MAGNET	M.MIK-ERS-001
12	MAGNET LOCATION	M.ENJ-ERS-PLS-BYM-001
13	BOTTOM COVER SHEET	YSC-ERS.BYM-LZ-0452
14	THERMOSTAT 0-90°C	M.ELK-MEK-TRM1-008
15	RESISTANCE COVER	M.ENJ-ERS-PLS-BYM-025
16	BOILER TANK	M.MEK-TES-BYM-BYL-001
17	BOILER RESISTANCE 220V-5000W	M.ELK-RZS-BRU-BYM-030
18	LEFT SLIDE SHEET	YSC-ERS.BYM-LZ-0004
19	COVER	ARA-ERS.BYM-0012
20	COVER OUTER SHEET	YSC-ERS.BYM-PN-0344
21	COVER HANDLE	ERS.M.AKS-KLP-INX-003
22	SLEEVE PART	YTL-ERS.BYM-KS-0119
23	TOP COVER HANDLE	YSC-ERS.BYM-LZ-0455
24	DRAIN WEDGE	M.ENJ-ERS-PLS-BYM-016
25	WEDGE PLASTIC	M.ENJ-ERS-PLS-BYM-017
26	FILTER COVER	M.ENJ-ERS-PLS-BYM-086
27	DISCHARGE WEDGE LOCATION	M.ENJ-ERS-PLS-BYM-112
28	DRAIN PUMP	M.ELK-MTR-PMP-002
29	WASHING MOTOR	M.ELK-MTR-PMP-001
30	FILTER	M.ENJ-ERS-PLS-BYM-041
31	TANK RESISTANCE 230V-2500W	M.ELK-RZS-BRU-BYM-028
32	LOCK KIT SPRING PLACE	YTL-ERS.BYM-KS-0073
33	COVER LOCK SPRING	M.YAY-ERS-035
34	BALL	M.MUH-021
35	LOCK BODY	YTL-ERS.BYM-KS-0072
36	COVER LOCK	ARA-ERS.BYM-0013
37	RIGHT SIDE SHEET	YSC-ERS.BYM-PN-0347

38	CORNER PLASTIC RIGHT	M.ENJ-ERS-PLS-BYM-061
39	CORNER PLASTIC LEFT	M.ENJ-ERS-PLS-BYM-062
40	WASHING PUMP HOSE	ERS.M.MEK-TES-HRT-014
41	FOOT	M.AKS-AYK-INX-004
42	FILTER LOCATION	M.ENJ-ERS-PLS-BYM-018
43	FILTER NUT	M.ENJ-ERS-PLS-BYM-113
44	PROCESTAT FLOAT	M.ELK-MUH-001
45	ELECTRICAL PANEL GROUP	M.ELK-EDM-DGT-048
46	SWITCH	M.ELK-SLT-PKO-011
47	evacuation time relay	M.ELK-KNT-ROL-026
48	WASH TIME RELAY	M.ELK-KNT-ROL-020
49	LC1K0901M7 CONTACTOR	ERS.M.ELK-KNT-KNT-020
50	CONTACTOR LC1K0910M	ERS.M.ELK-KNT-KNT-021
51	LC1K1210M7 CONTACTOR	ERS.M.ELK-KNT-KNT-022
52	GLASS FUSE 5A	M.ELK-SGR-011
53	HORIZONTAL SENSOR	M.ELK-SWC-KTG-005
54	SWITCH BUTTON	ERS.M.AKS-DGM-MUH-001
55	AIR TRAP	M.ENJ-ERS-PLS-BYM-019
56	VALVE (14 LT)	M.ELK-SLN-PLS-001
57	GREEN WARNING LAMP	ERS.M.ELK-LMB-SNY-001
58	YELLOW WARNING LAMP	ERS.M.ELK-LMB-SNY-003
59	PANEL LABEL	M.AKS-ETK-LKS-ERS-BYM-014
60	WASTE WATER HOSE	M.MEK-TES-HRT-033
61	5*4.00MM CABLE	HEL-KB-TT-5*4-BYZ
62	PG-16 CABLE FITTING	M.ELK-RKR-PLS-004
63	LEFT SIDE SHEET	YSC-ERS.BYM-PN-0346
64	CHASSIS	-
65	DETERGENT ENTRY PLASTIC	M.PLS-ERS-036
66	BACK COVER SHEET	YSC-ERS.BYM-PN-0010
67	VALVE HOSE	ERS.M.MEK-TES-HRT-006
68	HOSE 150CM	ERS.M.MEK-TES-HRT-011
69	PUMP HOSE	ERS.M.MEK-TES-HRT-002
70	WATER INLET HOSE	M.MEK-TES-HRT-001
71	SPRAY DISTRIBUTION HOSE	M.MEK-TES-HRT-003
72	PLATE BASKET	EMP.TB.01
73	SPOON FORK BASKET	EMP.KC.01
74	GLASS BASKET	EMP.BB.01
75	TOP COVER SHEET	YSC-ERS.BYM-LZ-0448

I. ELECTRIC CIRCUIT SCHEMA



P1	5 PROGRESSIVE COMMUTATOR
S1	MAGNETIC DOOR SENSOR
C1	BOILER CONTACTOR 220V
C2	WASHING CONTACTOR 220V
C3	LID CONTACTOR 220V
C4	RINSING CONTACTOR 220V
L1	EVACUATION LAMP
L2	RINSING LAMP
L3	WASHING LAMP
L4	WATER IS HEATED LAMP
L5	START LAMP
T1	BOILER THERMOSTAT (30-90°C)
T2	WASHING THERMOSTAT (30-90°C)
ZR1	5 CYCLE- CYCLE RELAY (İTER RR-5TG)
ZR2	0-240 SEC. CYCLE RELAY
PR1	PROSSESTAT
M	DETERGENT PUMPS
M1	WASHING MOTOR 0,55 KW 230V
M2	EVACUATION MOTOR 0,44 W 230V
R1	BOILER RESISTANCE 3000W
R2	WASHING RESISTANCE 2500W
F1	LEAKAGE CURRENT SAFETY FUSE
F2	ZR1 FUSE 500MA
V	SOLENOID VALVE 220V
TR1	WASHING MOTOR SAFETY RELAY
TR2	EVACUATION HOSE SAFETY THERMIC

CONTENDER DMB DISHWASHER • DMBO03 • DMBO04



STEP UP TO THE PLATE

Distributed by RG Distributors Ltd T/A Ecatering | Unit 7 Jade Business Park | Spring Road | Seaham | SR7 9DR

 0333 358 3678

 sales@ecatering.co.uk

 www.ecatering.co.uk