

Quattro

**QUATTRO HOT  
CHOCOLATE DISPENSER**

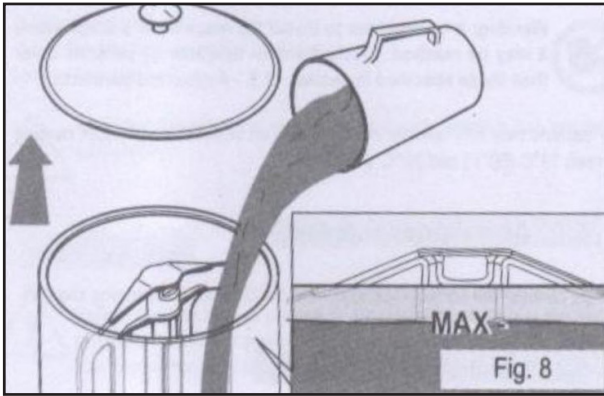
HOC001 | HOC002

# CONTENTS

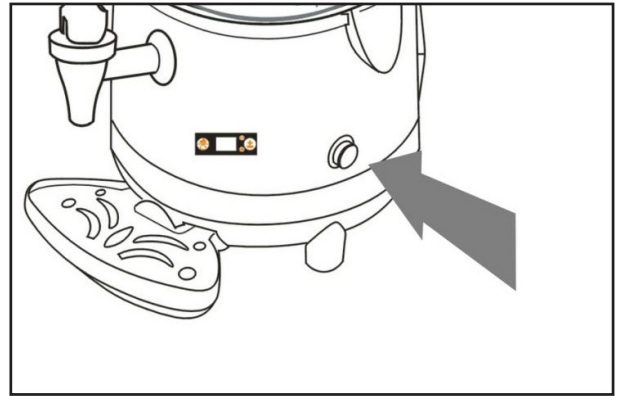
OPERATION .....	3
CLEANING & MAINTENANCE .....	3
ASSEMBLY .....	5
MAIN COMPONENTS .....	6

# OPERATION

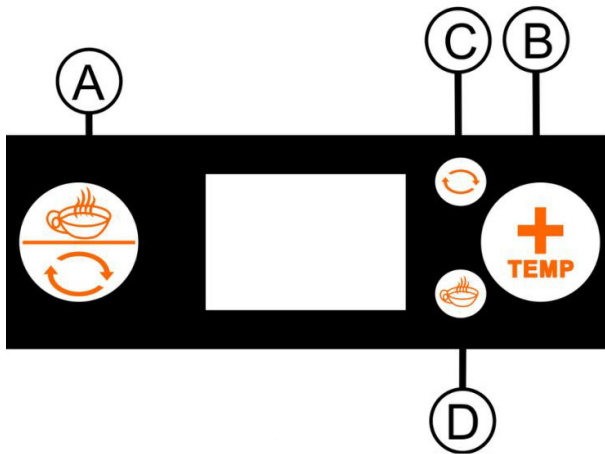
Please read these operation instructions carefully before using the machine.



Remove the lid and pour the beverage prepared into the bowl. Never exceed the maximum level which is marked MAX on the bowl itself.



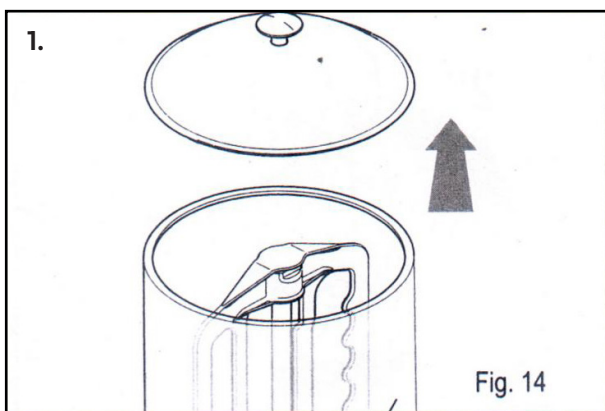
Press the main switch to start the machine.  
Lit LED = Machine On  
LED off = Machine Off



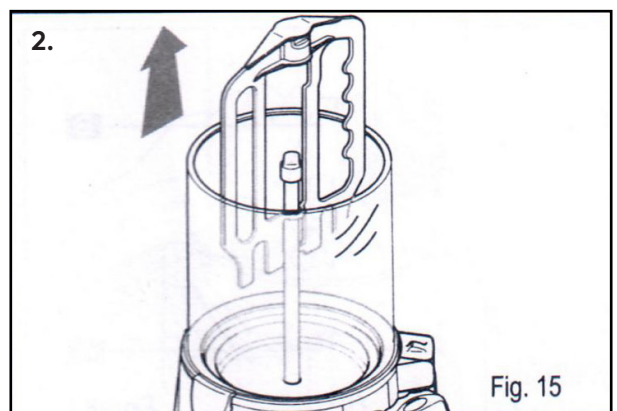
The heating temperature was between:  
30°C - 90°C

Power On, Press A and the mixer will start working. Press C and the light will switch on. Press A again, and the heater will start to work. Press D and the Light will come on. Press and hold A until the light on C & D goes off. Then press B and hold on till the temperature goes up. Release B when you reach your required temperature.

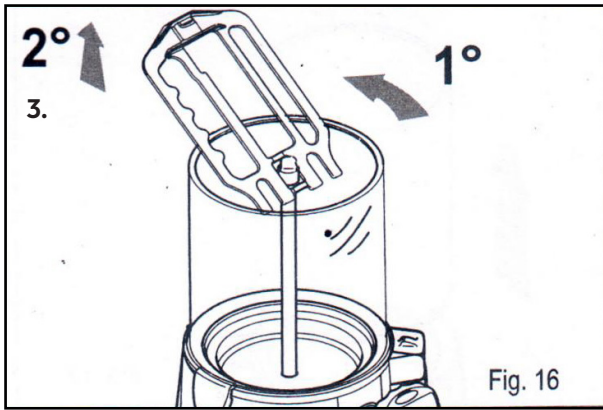
# CLEANING & MAINTENANCE



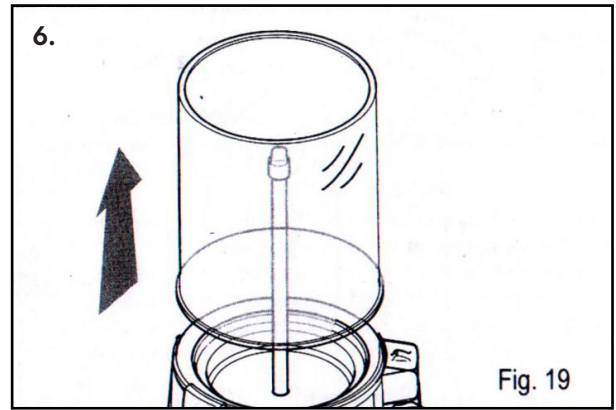
Take off the lid as the picture shows.



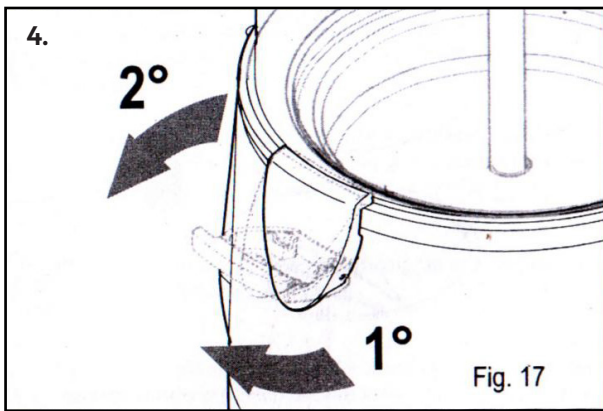
Slide the mixer upwards to remove it. Keep it in line with the central rod until the bottom slot of the mixer itself is level with the rotation pin.



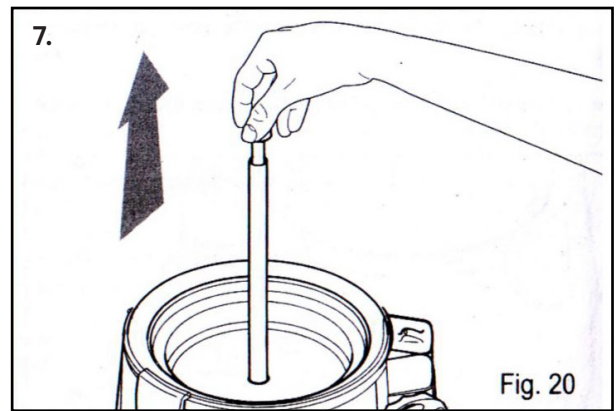
Tilt the mixer and slide it upwards, as illustrated in the figure, to remove it completely.



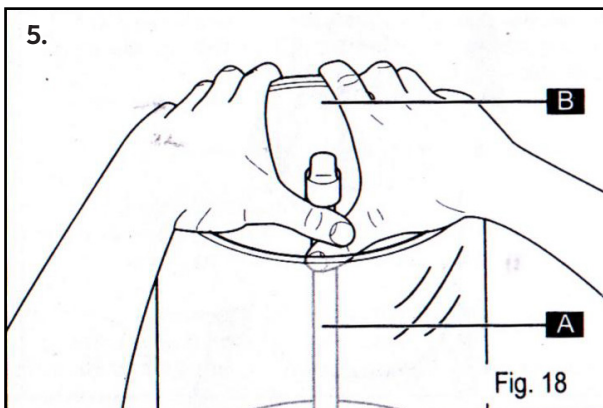
Slide the bowl upwards using both hands. **ATTENTION:** Make sure all liquid is removed from inside the bowl, before removing the bowl.



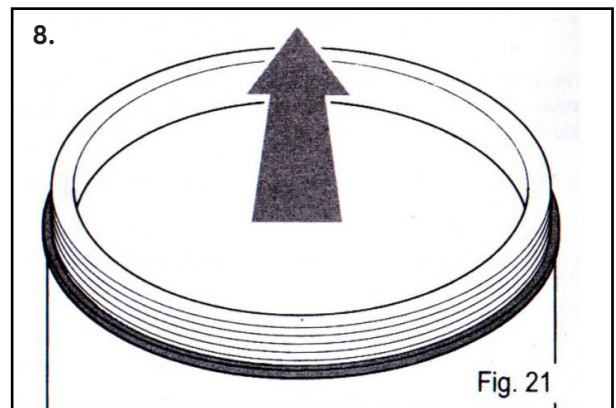
Unhook the bowl hook-on to free the bowl from the machine body.



Slide the mixing auger upwards with one hand, taking care to grip it by the rotation pin.



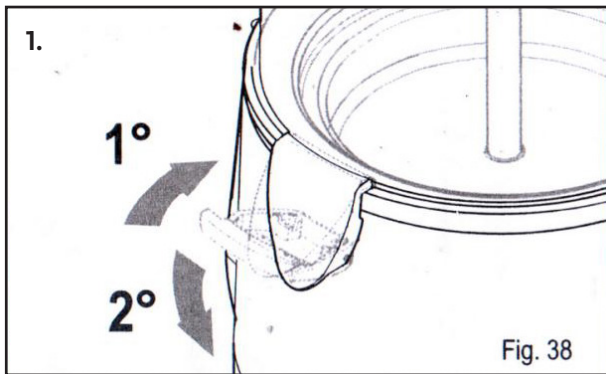
Release the bowl from the machine body, using two fingers to prise it away from the fixed steel part of the mixer auger.



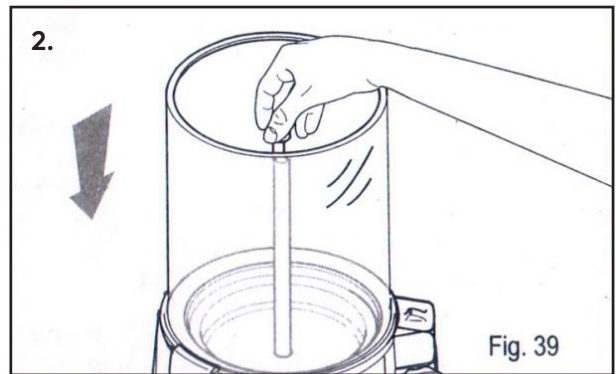
Place the bowl on a flat surface and using both hands, remove the gasket by sliding it upwards in the direction shown by the arrow.

Clean the main components using a damp cloth and rinse thoroughly using clean water. Then dry the components using a dry, clean cloth/towel. Once dry, then reassemble following the Assembly instructions.

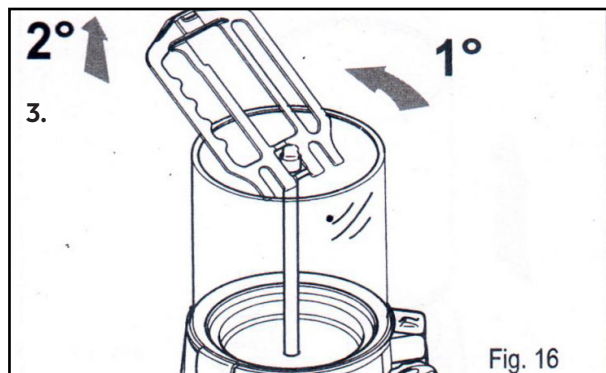
# ASSEMBLY



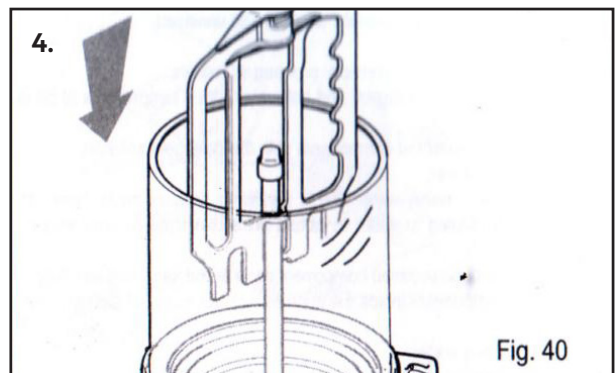
Fix the the bowl to the machine body using the relevant hook-on handles.



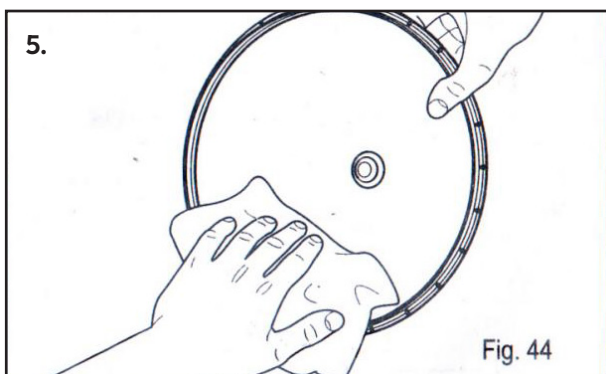
Insert the mixer auger into its seating.



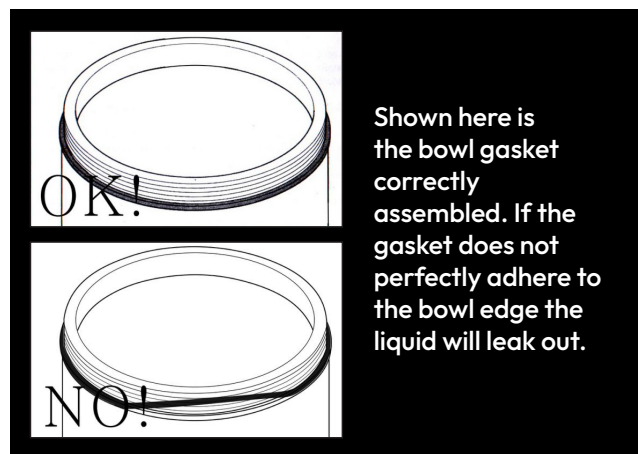
Tilt the mixer over the the mixing auger and slide downwards.



Insert the mixer into its seating.



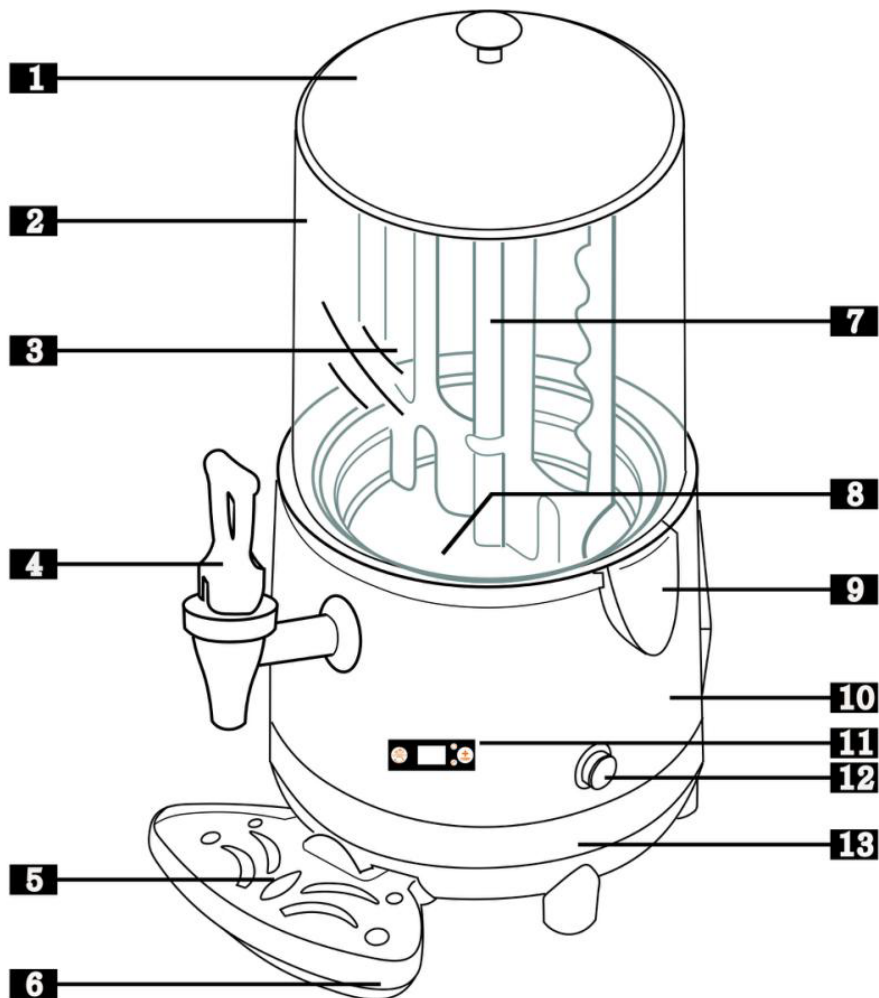
Clean the lid using a damp cloth. Rinse thoroughly using clean water.



# MAIN COMPONENTS

The main components making up the machine are:

- |   |                        |    |                      |
|---|------------------------|----|----------------------|
| 1 | Bowl lid               | 8  | Heater               |
| 2 | Bow (5 or 10 liters}   | 9  | Bowl hook-on handles |
| 3 | Mixer                  | 10 | Main body            |
| 4 | Product dispenser unit | 11 | LED display          |
| 5 | Drip tray grid         | 12 | Power switch         |
| 6 | Drip tray              | 13 | Lower body           |
| 7 | Mixing auger           |    |                      |







HOC001 • Quattro Hot Chocolate Dispenser 5Ltr  
HOC002 • Quattro Hot Chocolate Dispenser 10Ltr

# Quattro